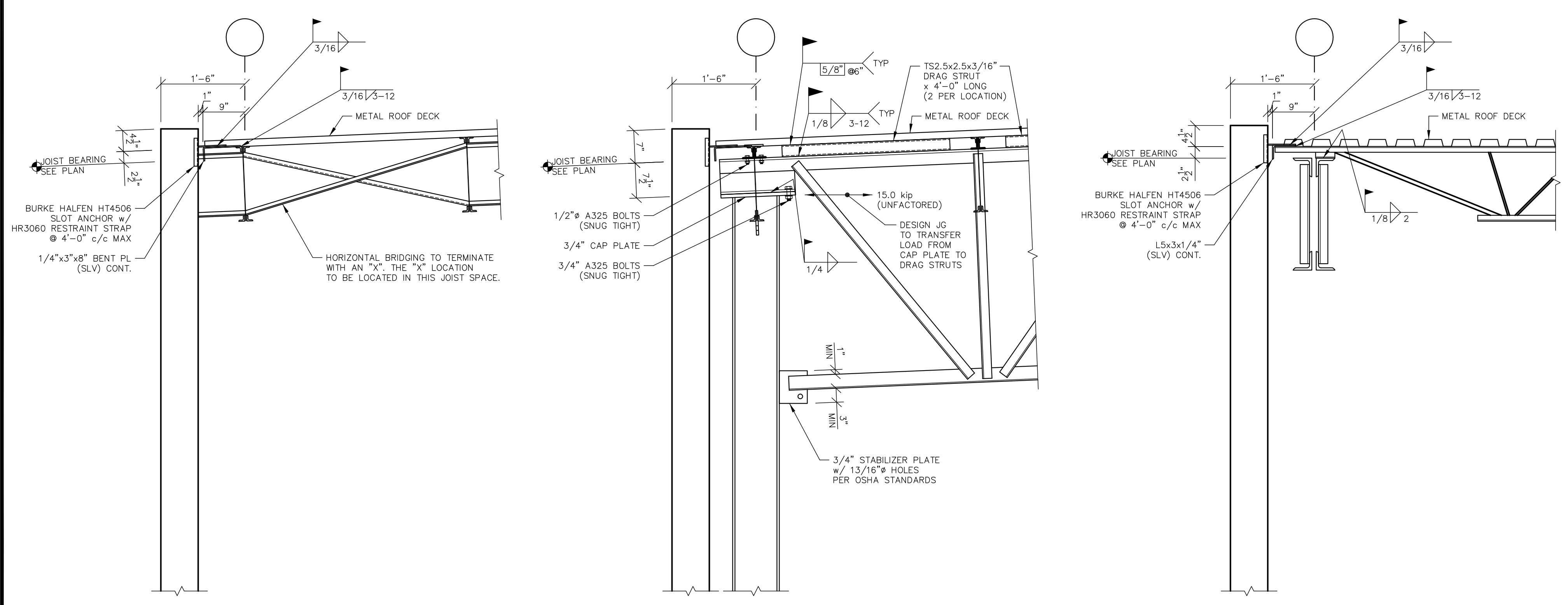


1 SECTION
S-531

2 SECTION
S-531



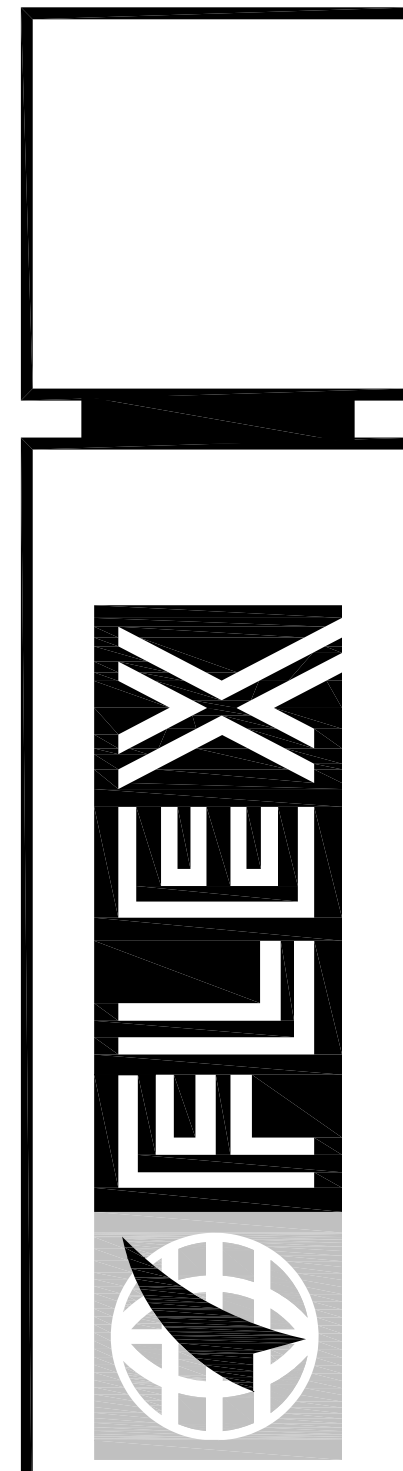
21 SECTION
S-531

22 SECTION
S-531

23 SECTION
S-531

NOTE: REFER TO 10/S-526 FOR ALTERNATE DETAIL OF ATTACHING TS2-S DRAG STRUT TO ROOF DECK.

STEEL SECTIONS



FLEX FILMS (USA) INC.
1221 NORTH BLACK BRANCH ROAD
ELIZABETHTOWN, KENTUCKY 42702
PROJECT L-12 BOPET U.S.A.

DATE	REVISION	REVISION NUMBER	BY
10-21-11	REVISION NUMBER ONE	01	
11-15-11	REVISION NUMBER TWO	02	

DESIGNED BY: EFH
DRAWN BY: GPT/EFH
CHECKED BY: FH
REVIEWED BY:
DATE: JULY 2011
SCALE: AS NOTED

nse
OF KENTUCKY, INC.
Engineers
Architects
Planners
624 Wellington Way
Lexington, KY 40523
Phone: (609)223-5694
Fax: (609)223-5697
www.nseinc.com

DRAWING NO.
UFL-L12
S-531